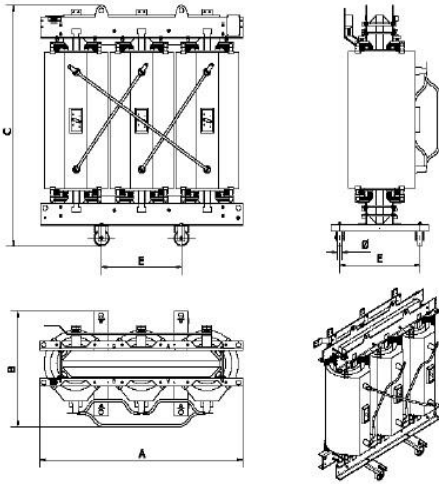


**CAST-RESIN TRANSFORMERS**  
**100 to 3150 kVA (Al/Al)**  
**Insulation level ≤ 24 kV and 36 kV**  
**EcoDesign (EU) 548/2014**



Rev\_1\_MARZO 2015



Pérdidas 548/2014					STANDARDS	
Potencia	S.24 kV		S.36kV		In accordance with standards: • IEC 60076-1 // • EU 548/2014	
	P <sub>0</sub>	P <sub>K</sub>	P <sub>0</sub>	PK		
≤630 kVA	Ao	Bk	Ao + 15%	Bk + 10%		
≥800 kVA	Ao	Ak	Ao + 15%	Ak + 10%		

COMMON ELECTRICAL CHARACTERISTICS (*)	
Frequency	50 Hz
Vector group	Dyn5 or Dyn11
Primary voltage (at no load)	6 to 36 kV
HV tapping range (off-load)	3 to 7 positions (2,5%)
Secondary voltage (at no load)	380 to 440 V (Ph-Ph) 220 to 254 V (Ph-N)
Ambient temperature (Max.)	40 °C
Altitude above sea level	≤ 1000 m
Routine test (1)	Included
Type test (2)	Optional (quotable)
Special test (3)	Optional (quotable)

**ELECTRICAL CHARACTERISTICS FOR INSULATION LEVEL ≤ 24 kV (\*)**

Rated Power kVA	100	160	250	315	400	500	630	800	1000	1250	1600	2000	2500	3150	
Rated primary voltage (dual voltage on request)	6 to 24 kV											10 to 24 kV			
Rated insulation level	7,2 kV BIL(60/20kV); 12 kV BIL(75/28kV); 17,5 kV BIL(95/38kV) or 24 kV BIL(125/50kV)														
Losses W	no load losses	280	400	520	620	750	900	1100	1300	1550	1800	2200	2600	3100	3800
	load losses at 120°C	2050	2900	3800	4540	5500	6410	7600	8000	9000	11000	13000	16000	19000	22000
Rated impedance voltage %	6	6	6	6	6	6	6	6	6	6	6	6	6	6	
No-load current 100%Vn	1,7	1,6	1,4	1,3	1,3	1,2	1,2	1,1	1	1	0,9	0,9	0,8	0,7	
Noise level dB(A)	Sound power LwA	51	54	57	58	60	61	62	64	65	67	68	70	71	74
	Sound pressure LpA (1 m)	37	40	43	44	46	47	48	50	51	53	53	54	55	58
Approximate Dimensions (mm)	A	1500	1400	1400	1500	1600	1700	1700	1700	1800	1900	2000	2100	2300	2600
	B	760	760	820	840	860	870	870	890	900	1020	1060	1060	1420	1420
	C	1230	1300	1350	1460	1560	1600	1630	1700	1900	2050	2150	2350	2400	2550
	E	520	520	670	670	670	670	670	670	670	820	820	820	1070	1070
	F	40	40	40	40	40	40	40	40	40	70	70	70	70	70
	∅	125	125	125	125	125	125	125	125	125	200	200	200	200	200
Total weight (Kg)	1050	1150	1200	1600	1800	2100	2300	2600	3200	3900	4400	5400	7200	9500	

**ELECTRICAL CHARACTERISTICS FOR INSULATION LEVEL 36 kV (\*)**

Rated Power kVA	100	160	250	315	400	500	630	800	1000	1250	1600	2000	2500	3150	
Rated primary voltage (dual voltage on request)	25 to 36 kV														
Rated insulation level	36 kV BIL (170/70kV)														
Losses W	no load losses	320	460	595	710	860	1035	1265	1495	1780	2070	2530	2990	3565	4370
	load losses at 120°C	2255	3190	4180	4990	6050	7050	8360	8800	9900	12100	14300	17600	20900	24200
Rated impedance voltage %	6	6	6	6	6	6	6	6	6	6	6	6	6	6	
No-load current 100%Vn	1,9	1,8	1,6	1,5	1,4	1,3	1,3	1,2	1,1	1,1	1	1	0,9	0,8	
Noise level dB(A)	Sound power LwA	51	54	57	58	60	61	62	64	65	67	68	70	71	74
	Sound pressure LpA (1 m)	37	40	43	44	46	47	48	50	51	53	53	54	55	58
Approximate Dimensions (mm)	A	1600	1700	1700	1800	1800	1900	1900	1900	2000	2100	2200	2300	2500	2800
	B	830	860	940	950	960	980	980	990	1050	1120	1150	1200	1430	1490
	C	1500	1650	1650	1700	1700	1800	1850	2000	2150	2400	2450	2550	2650	2700
	E	520	520	670	670	670	670	670	670	670	820	820	820	1070	1070
	F	40	40	40	40	40	40	40	40	40	70	70	70	70	70
	∅	125	125	125	125	125	125	125	125	125	200	200	200	200	200
Total weight (Kg)	1250	1580	2050	2350	2600	2900	3100	3500	4000	4800	5600	6900	8700	11000	

(\*) OTHERS CHARACTERISTICS: Consult IMEFY.

NOTE: Dimensions may change without prior notice.

IMEFY applies a policy of continuous development of its products and reserves the right to make changes in the specifications and technical characteristics without prior notice. The present technical data sheet has no other objective than to give information without any compromise.

For further information please contact IMEFY.