

# Kapacitní podpěrné izolátory od 12 do 38,5kV

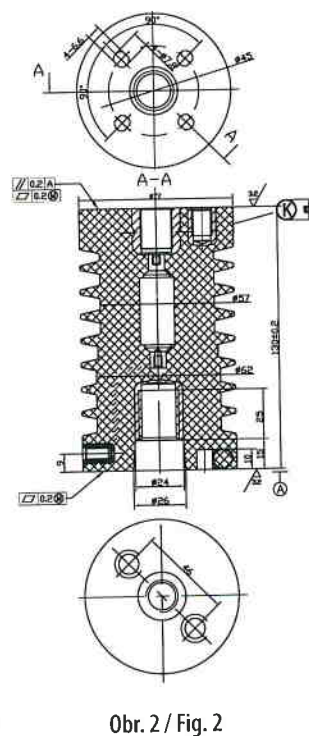
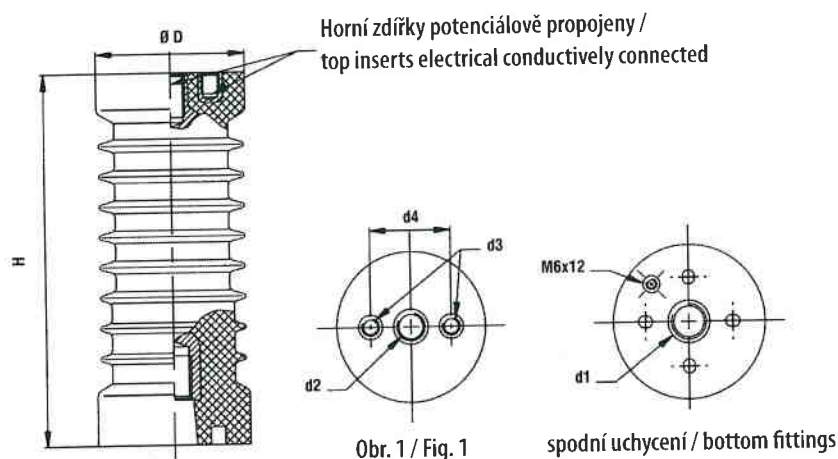
Capacitive post insulators from 12 up to 38,5kV

## Kapacitní izolátory

Design těchto izolátorů vychází ze standardních vnitřních izolátorů. V izolátoru je zalitý kondenzátor a jeho výstup na spodní straně je použit pro zapojení do indikátoru napětí.

## Capacitive insulators

The design of these insulators follows from the standard indoor ones. The insulator has a capacitor cast in and its bottom terminal is used for connection to a voltage indicator.



### Kapacitní izolátory / capacitive insulators

| Typ            | Obr. | Obj. č.   | Výkres č.    | Jmenovité výdržné napětí při atmosférickém impulzu | Kapacita | Povrchová dráha   | Pevnost v ohybu  | Váha   | H   | D   | d1     | d2     | d3     | d4 |
|----------------|------|-----------|--------------|--|----------|-------------------|------------------|--------|-----|-----|--------|--------|--------|----|
| Type           | Fig. | Art. No.  | Drawing No.  | Lighting impulse withstand voltage                 | Capacity | Creepage distance | Bending strength | Weight | H   | D   | d1     | d2     | d3     | d4 |
|                |      |           |              | kV   | pF       | mm                | > kN             | kg     | mm  | mm  |        |        |        | mm |
| SGA12N-kap     | 1    | 000703-00 | M0435        | 75   | 20       | 187               | 5                | 1,30   | 130 | 77  | M16x25 | M12x18 | M6x12  | 36 |
| SGB12N-kap     | 1    | 000383-00 | M0091        | 75   | 20       | 187               | 10               | 1,25   | 130 | 77  | M20x25 | M16x20 | M10x12 | 46 |
| B10N-1000C     | 2    | KT051     | KXI.B10.213  | 75   | 20       | 240               | 7,5              | 1,50   | 130 | 77  | M20x25 | M16x29 | M10x14 | 46 |
| SGC12N-kap     | 1    | 004087-00 | M0092        | 75   | 20       | 177               | 16               | 1,55   | 130 | 90  | M20x25 | M16x20 | M10x12 | 66 |
| SGD12N-kap     | 1    | 000704-00 | M0436        | 75   | 20       | 261               | 25               | 3,00   | 130 | 130 | M20x25 | M16x20 | M10x12 | 66 |
| SGA24S-kap     | 1    | 004133-00 | M1097        | 95   | 15       | 259               | 10               | 1,35   | 175 | 80  | M12x18 | M12x18 | M6x12  | 36 |
| SGA24N-kap     | 1    | 000705-00 | M0437        | 125  | 15       | 296               | 5                | 1,80   | 210 | 77  | M16x33 | M12x18 | M6x12  | 36 |
| SGB24N-kap, So | 1    | 1356      | NP112 1175 1 | 125  | 15       | 296               | 8                | 1,80   | 210 | 87  | M16x33 | M12x18 | M8x13  | 46 |
| SGB24N-kap     | 1    | 000385-00 | M0093        | 125  | 15       | 308               | 10               | 2,05   | 210 | 87  | M20x34 | M16x25 | M10x12 | 46 |
| SGB 24L-kap    | 1    | 1428      | NP112 2038 1 | 125  | 15       | 339               | 6,8              | 2,10   | 225 | 86  | M16x33 | M12x20 |        |    |
| SGD24N-kap     | 1    | 020364-00 | NP112 1847 2 | 125  | 15       | 404               | 10               | 4,20   | 210 | 130 | M16x33 | M12x25 |        |    |
| SGA36N-kap     | 1    | 000706-00 | M0438        | 170  | 10       | 434               | 5                | 2,10   | 300 | 80  | M16x33 | M12x18 | M6x12  | 36 |
| SGB36N-kap     | 1    | 000482-00 | M0202        | 170  | 10       | 434               | 7,5              | 3,20   | 300 | 95  | M24x35 | M16x25 | M10x12 | 46 |
| SGB38,5F-kap   | 1    | 004418-00 | M1517        | 180  | 10       | 546               | 7,5              | 3,56   | 325 | 98  | M24x35 | M16x25 | M10x16 | 46 |
| IO 8-195 kap   | 1    | 1370      | NP112 1370 1 | 195  | 10       | 595               | 8                | 4,90   | 350 | 110 | M24x35 | M16x25 | M10x20 | 46 |